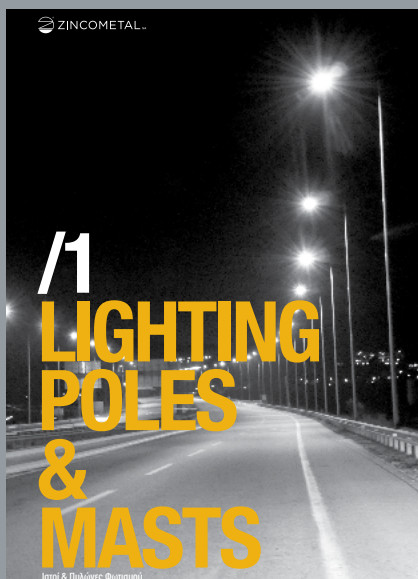


PRINTED CATALOGUE



WEBSITE LINK

[/ products / lighting poles & masts / street lighting poles](#)

PRODUCT NO:

DESCRIPTION:

IMAGE

stepped poles



ZINCOMETAL S.A. is constantly developing and improving its products. For this reason, all product descriptions in this catalogue are intended as a general guide, and we may change specifications from time to time in the interest of product development, without prior notification or public announcement. Regarding the validity of the International Standards it is considered always the oldest edition.

Stay tuned with the company by signing up in ZINCOMETAL's Newsletter ([www.zincometal.gr](http://www.zincometal.gr)) and Social Media.

## 1.1.4. Stepped Poles

### Image 1

Stepped steel lighting poles with base plate, hot-dip galvanized and electrostatic powder coating surface finish (duplex system), in combination with an urban lighting luminaire ZINLUX PRISMA.





**Image 2**

Stepped steel lighting pole with base plate, with a decorative bracket with die-cast aluminium rings, hot-dip galvanized and electrostatic powder coating surface finish (duplex system), in combination with a suspended urban lighting luminaire ZINLUX CAMPANA.

**Image 3**

Stepped steel lighting poles with base plate, with a ZINLUX urban lighting luminaire and with anchor bolt's protective cover.



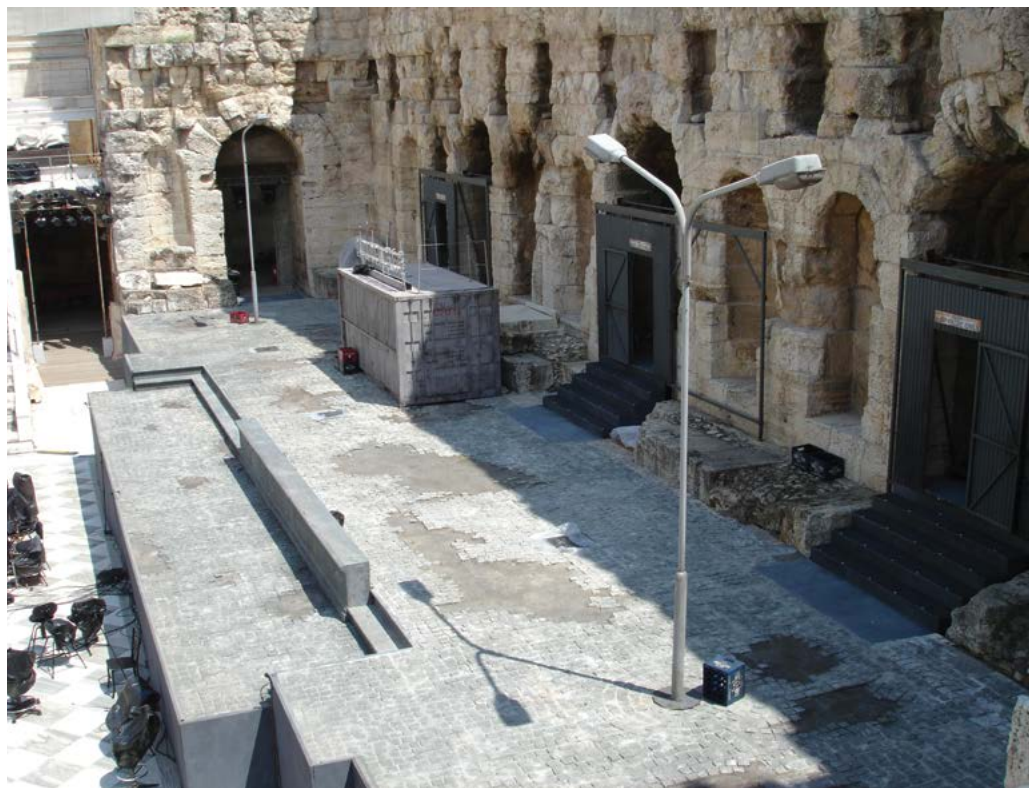


**Image 3**

Stepped steel lighting poles with base plate, with street lighting brackets and street lighting luminaire ZINLUX ELITE  
(Odeon of Herodes Atticus – Greek National Opera).

**Image 4**

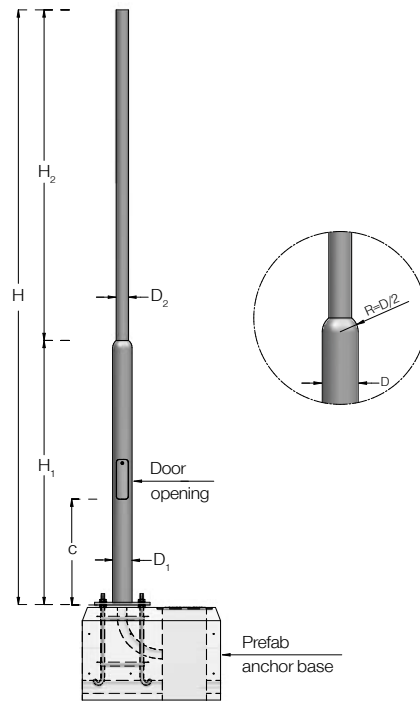
(Odeon of Herodes Atticus – Greek National Opera)



## Stepped Poles

### Up to 5m with base plate

Pole drawing model



**Material** Steel tube from hot rolled steel grade S235JR according to EN 10025 manufactured to EN 10219.

**Surface protection** Hot-dip galvanized (in bath with bigger length than the pole) according to International Standard EN ISO 1461.

**Manufacturing** The lighting poles are consisted from two (2) tubes with different diameters which are penetrated at 0.10m inside the tube with the bigger diameter. For a better aesthetic result the tubes are welded in the joint parts with a modern-engineering way in which we have  $R=D/2$ . For a better static analysis there is a base plate with or without triangular gussets (depends on the headload). Door opening is made from the body of the pole through special saw machine (IP54 and IK10). It fits tightly and it's equipped with security lock with stainless screw and security key ZINCOMETAL of triangular socket which is easy to use. Manufacturing according to EN 40.

**Certifications** CE Certificate of Notified European Body (EN 40, European Commission).

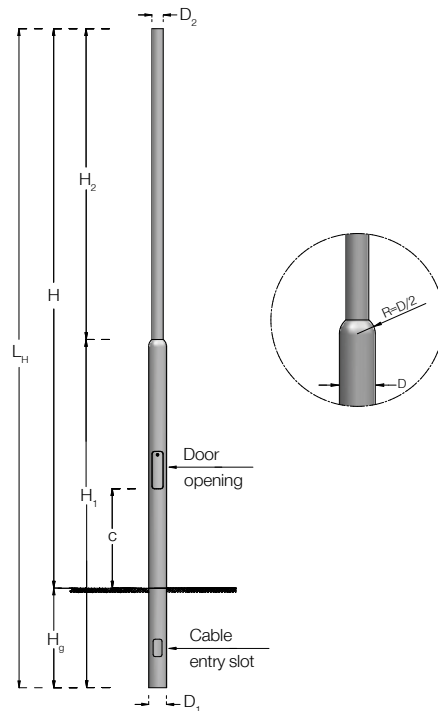
Table of Stepped Poles  
Up to 5m with base plate

										Anchor base			Junction box
Code	mm	mm	mm	mm	mm	mm	mm	mm	kg	Code	mm	mm	Code
ST250/60T	2500	1000	1500	3	Ø114	Ø60	250x250x8	300x75	23	BAG M16/50/Z/190	M16x500	190x190	A-M3A A-M2 A-M1
ST300/60T	3000	1000	2000						25				
ST350/60T	3500	1000	2500				310x310x10		30	BAG M16/50/Z/235		235x235	
ST400/60T	4000	1500	2500						33				
ST450/60T	4500	1500	3000				35						
ST500/60T	5000	1500	3500				38						
ST250/76T	2500	1000	1500	3	Ø114	Ø76	250x250x8	300x75	24	BAG M16/50/Z/190	M16x500	190x190	A-M3A A-M2 A-M1
ST300/76T	3000	1000	2000						26				
ST350/76T	3500	1000	2500				310x310x10		32	BAG M16/50/Z/235		235x235	
ST400/76T	4000	1500	2500						36				
ST450/76T	4500	1500	3000				38						
ST500/76T	5000	1500	3500				41						
ST250/133/76T	2500	1200	1300	3	Ø133	Ø76	310x310x10	300x80	28	BAG M16/50/Z/235	M16x500	235x235	A-M3A
ST300/133/76T	3000		1800						31				
ST350/133/76T	3500	2300	35										
ST400/133/76T	4000	1500	2500						39				
ST450/133/76T	4500		3000						42				
ST500/133/76T	5000	3500	45										
ST250/159/89T	2500	1200	1300	3	Ø159	Ø89	310x310x10	300x85	31	BAG M16/50/Z/235	M16x500	235x235	A-M3A
ST300/159/89T	3000		1800						35				
ST350/159/89T	3500	2300	38										
ST400/159/89T	4000	1500	2500						44				
ST450/159/89T	4500		3000						47				
ST500/159/89T	5000	3500	51										

## Stepped Poles

### Up to 5m root mounted

Pole drawing model



**Material** Steel tube from hot rolled steel grade S235JR according to EN 10025 manufactured to EN 10219.

**Surface protection** Hot-dip galvanized (in bath with bigger length than the pole) according to International Standard EN ISO 1461.



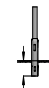




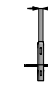

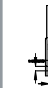


**Manufacturing** The lighting poles are consisted from two (2) tubes with different diameters which are penetrated at 0.10m inside the tube with the bigger diameter. For a better aesthetic result the tubes are welded in the joint parts with a modern-engineering way in which we have  $R=D/2$ . Door opening is made from the body of the pole through special saw machine (IP54 and IK10). It fits tightly and it's equipped with security lock with stainless screw and security key ZINCOMETAL of triangular socket which is easy to use. It is provided with cable entry slot. Manufacturing according to EN 40.

**Certifications** CE Certificate of Notified European Body (EN 40, European Commission).



## Table of Stepped Poles

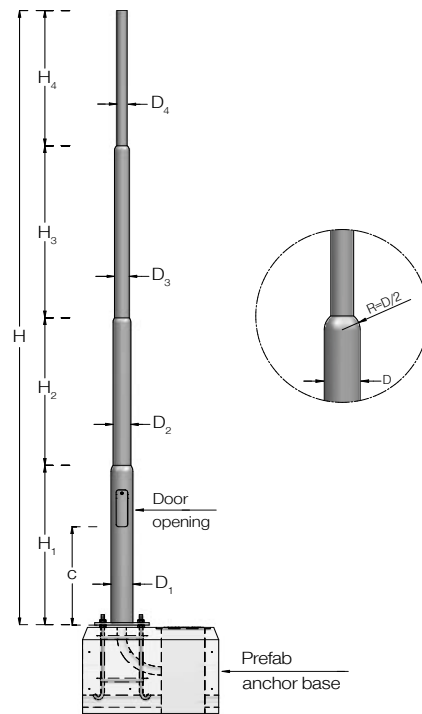
## Up to 5m root mounted

												
Code	mm	mm	mm	mm	mm	mm	mm	mm	mm	mm	kg	Code
ST300/60	3000	2500	500	1500	1500	3	Ø114	Ø60	300x75	150x50	23	A-M3A A-M2 A-M1
ST350/60	3500	3000			2000						25	
ST400/60	4000	3500			2500						28	
ST450/60	4500	4000		2000	2500						30	
ST500/60	5000	4500			3000						32	
ST550/60	5500	5000			3500						35	
ST300/76	3000	2500	500	1500	1500	3	Ø114	Ø76	300x75	150x50	23	A-M3A A-M2 A-M1
ST350/76	3500	3000			2000						26	
ST400/76	4000	3500			2500						28	
ST450/76	4500	4000		2000	2500						32	
ST500/76	5000	4500			3000						35	
ST550/76	5500	5000			3500						38	
ST300/133/76	3000	2500	500	1500	1500	3	Ø133	Ø76	300x80	150x70	24	A-M3A
ST350/133/76	3500	3000			2000						27	
ST400/133/76	4000	3500			2500						30	
ST450/133/76	4500	4000		2000	2500						35	
ST500/133/76	5000	4500			3000						38	
ST550/133/76	5500	5000			3500						41	
ST300/159/89	3000	2500	500	1500	1500	3	Ø159	Ø89	300x85	150x70	27	A-M3A
ST350/159/89	3500	3000			2000						32	
ST400/159/89	4000	3500			2500						36	
ST450/159/89	4500	4000		2000	2500						42	
ST500/159/89	5000	4500			3000						46	
ST550/159/89	5500	5000			3500						49	

## Stepped Poles

### 6m-12m with base plate

Pole drawing model



**Material** Steel tube from hot rolled steel grade S235JR according to EN 10025 manufactured to EN 10219.

**Surface protection** Hot-dip galvanized (in bath with bigger length than the pole) according to International Standard EN ISO 1461.

**Manufacturing** The lighting poles are consisted from two (2), three (3) or four (4) tubes with different diameters which are penetrated at 0.10m inside the tube with the bigger diameter. For a better aesthetic result the tubes are welded in the joint parts with a modern-engineering way in which we have  $R=D/2$ . For a better static analysis there is a base plate with or without triangular gussets (depends on the headload). Door opening is made from the body of the pole through special saw machine (IP54 and IK10). It fits tightly and it's equipped with security lock with stainless screw and security key ZINCOMETAL of triangular socket which is easy to use. Manufacturing according to EN 40.

**Certifications** CE Certificate of Notified European Body (EN 40, European Commission).

## Table of Stepped Poles

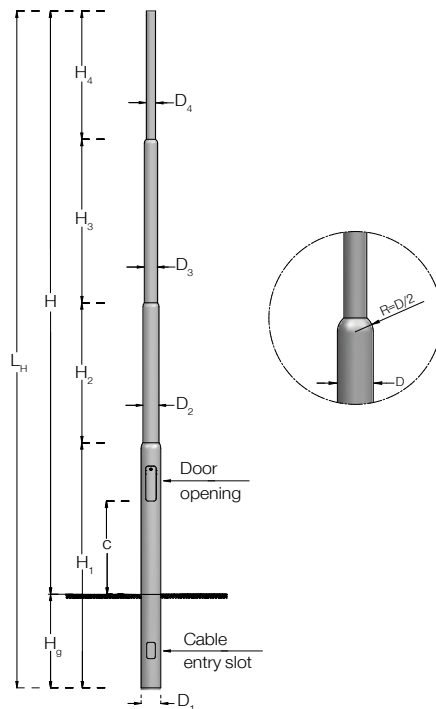
## 6m-12m with base plate

								Anchor base			Junction box	
Code	mm	mm	mm	mm	mm	mm	kg	Code	mm	mm	Code	
ST600/114/76T	6000	1500/1500/3000	3	Ø114/Ø89/Ø76	310x310x10	300x75	52	BAG M20/60/Z/235	M20x600	235x235	A-M3A A-M2	
ST600/133/76T				Ø133/Ø89/Ø76		300x80	55				A-M4 A-M3A	
ST600/133/76/60T				Ø133/Ø76/Ø60	310x310x12	54	A-M3A					
ST600/159/89/60T		Ø159/Ø89/Ø60	300x85	58								
ST600/159/102T		1500/1500/3000	4/4/3	Ø159/Ø133/Ø102	400x400x10	84	BAG M20/60/Z/280				M20x600	280x280
ST700/114/76T	7000	1500/2000/3500	3	Ø114/Ø89/Ø76	400x400x12	300x75	58	BAG M20/60/Z/280	M20x600	280x280	A-M3A A-M2	
ST700/133/76T				Ø133/Ø89/Ø76		300x80	62				A-M4 A-M3A	
ST700/159/102T				4/4/3		Ø159/Ø133/Ø102	300x85				99	
ST700/193/120T		2000/5000	4	Ø193/Ø121	110							
ST800/133/76T	8000	1500/3000/3500	3	Ø133/Ø89/Ø76	400x400x12	300x80	67	BAG M20/60/Z/280	M20x600	280x280	A-M4 A-M3A	
ST800/139/76T				Ø139/Ø114/Ø76		74						
ST800/159/102T				4		Ø159/Ø133/Ø102	400x400x15					300x85
ST800/193/120T		2000/6000	Ø193/Ø121		125							
ST900/133/76T	9000	2500/3500/3000	3	Ø133/Ø89/Ø76	400x400x15	300x80	86	BAG M24/75/Z/280	M24x750	280x280	A-M4 A-M3A	
ST900/139/76T				Ø139/Ø114/Ø76		125						
ST900/159/102T				4		Ø159/Ø133/Ø102	300x85					134
ST900/193/120T		3000/6000	Ø193/Ø121		145							
ST1000/139/76T	10000	2000/2000/3000/ 3000	4	Ø139/Ø114/Ø89/ Ø76	400x400x15	300x80	120	BAG M24/75/Z/280	M24x750	280x280	A-M4 A-M3A	
ST1000/159/76T				Ø159/Ø139/ Ø114/Ø76		300x85	137					
ST1000/193/120T		3000/7000		Ø193/Ø121		155						
ST1200/159/76T	12000	2000/3000/3000/ 4000	4	Ø159/Ø139/ Ø114/Ø76	400x400x20	300x85	160	BAG M24/75/Z/280	M24x750	280x280	A-M4 A-M3A	

## Stepped Poles

### 6m-12m root mounted

Pole drawing model



**Material** Steel tube from hot rolled steel grade S235JR according to EN 10025 manufactured to EN 10219.

**Surface protection** Hot-dip galvanized (in bath with bigger length than the pole) according to International Standard EN ISO 1461.

**Manufacturing** The lighting poles are consisted from two (2), three (3) or four (4) tubes with different diameters which are penetrated at 0.10m inside the tube with the bigger diameter. For a better aesthetic result the tubes are welded in the joint parts with a modern-engineering way in which we have  $R=D/2$ . Door opening is made from the body of the pole through special saw machine (IP54 and IK10). It fits tightly and it's equipped with security lock with stainless screw and security key ZINCOMETAL of triangular socket which is easy to use. It is provided with cable entry slot. Manufacturing according to EN 40.

**Certifications** CE Certificate of Notified European Body (EN 40, European Commission).



## Table of Stepped Poles

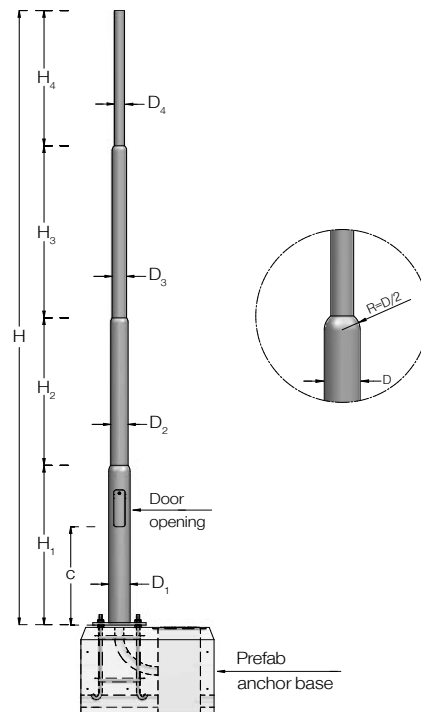
## 6m-12m root mounted

											
Code	mm	mm	mm	mm	mm	mm	mm	mm	kg	Code	
ST680/114/76	6800	6000	800	2250/1500/3050	3	Ø114/Ø89/Ø76	300x75	150x70	48	A-M3A A-M2	
ST680/133/76						Ø133/Ø89/Ø76	300x80		53	A-M4 A-M3A	
ST680/133/76/60				2000/2000/2800	Ø133/Ø76/Ø60	300x85	51				
ST680/159/102				2250/1500/3050	4/4/3	Ø159/Ø133/Ø102	300x85	84			
ST680/159/89/60				2000/2000/2800	3	Ø159/Ø89/Ø60	300x85	56	A-M3A		
ST780/114/76	7800	6800	1000	2250/2000/3550	3	Ø114/Ø89/Ø76	300x75	150x70	54	A-M3A A-M2	
ST780/133/76						Ø133/Ø89/Ø76	300x80		57	A-M4 A-M3A	
ST780/159/102				4/4/3	Ø159/Ø133/Ø102	300x85	96				
ST780/193/120				3000/4800	4	Ø193/Ø120	300x85	112			
ST880/133/76	8800	7800	1000	2250/3000/3550	3	Ø133/Ø89/Ø76	300x80	150x70	64	A-M4 A-M3A	
ST880/139/76						Ø139/Ø114/Ø76	300x85		69		
ST880/159/102				4	Ø159/Ø133/Ø102	300x85	109				
ST880/193/120				3000/5800	4	Ø193/Ø120	300x85	122			
ST980/133/76	9800	8800	1000	3000/4000/2800	3	Ø133/Ø89/Ø76	300x80	150x70	74	A-M4 A-M3A	
ST980/139/76						Ø139/Ø114/Ø76	300x85		113		
ST980/159/102				4	Ø159/Ø133/Ø102	300x85	127				
ST980/193/120				4000/5800	4	Ø193/Ø120	300x85	141			
ST1080/139/76	10800	9800	1000	3000/2000/3000/2800	4	Ø139/Ø114/Ø89/Ø76	300x80	150x70	118	A-M4 A-M3A	
ST1080/159/76						Ø159/Ø139/Ø114/Ø76	300x85		137		
ST1080/193/120				4000/6800	4	Ø193/Ø120	300x85	152			
ST1180/159/76	11800	10800	1000	3000/3000/3000/2800	4	Ø159/Ø139/Ø114/Ø76	300x85	150x70	152	A-M4 A-M3A	
ST1280/159/76	12800	11800	1000	3000/3000/3000/3800	4	Ø159/Ø139/Ø114/Ø76	300x85	150x70	160	A-M4 A-M3A	

## Stepped Poles

### 7m-15m with base plate

Pole drawing model



**Material** Steel tube from hot rolled steel grade S235JR according to EN 10025 manufactured to EN 10219.

**Surface protection** Hot-dip galvanized (in bath with bigger length than the pole) according to International Standard EN ISO 1461.

**Manufacturing** The lighting poles are consisted from two (2), three (3) or four (4) tubes with different diameters which are penetrated at 0.10m inside the tube with the bigger diameter. For a better aesthetic result the tubes are welded in the joints parts with a modern-engineering way in which we have  $R=D/2$ . For a better static analysis there is a base plate with or without triangular gussets (depends on the headload). Door opening is made from the body of the pole through special saw machine (IP54 and IK10). It fits tightly and it's equipped with security lock with stainless screw and security key ZINCOMETAL of triangular socket which is easy to use. Manufacturing according to EN 40.

**Certifications** CE Certificate of Notified European Body (EN 40, European Commission).

## Table of Stepped Poles

## 7m-15m with base plate

								Anchor base			Junction box	
Code	mm	mm	mm	mm	mm	mm	kg	Code	mm	mm	Code	
STY700T	7000	3000/1800/1700/ 500	5/5/4/4	Ø159/Ø139/Ø114/ Ø102	400x400x15	300x85	143	BAG M24/75/Z/280	M24x750	280x280	A-M4 A-M3A	
STY800T	8000	3000/2800/1700/ 500					158					
STY900T/1	9000	3000/3000/2500/ 500	5/5/4/4	Ø159/Ø139/Ø114/ Ø102	400x400x15	300x85	170	BAG M24/75/Z/280	M24x750	280x280	A-M4 A-M3A	
STY900T	9000	4500/2300/1700/ 500					183					
STY1000T/1	10000	3000/3000/3500/ 500	5/5/4/4	Ø159/Ø139/Ø114/ Ø102	400x400x15	300x85	182	BAG M24/75/Z/280	M24x750	280x280	A-M4 A-M3A	
STY1000T	10000	5000/2800/1700/ 500					202					
STY1100T	11000	6000/2800/1700/ 500	5/5/4/4	Ø159/Ø139/Ø114/ Ø102	400x400x20	300x85	230	BAG M24/75/Z/280	M24x750	280x280	A-M4 A-M3A	
STY1200T	12000	6000/3000/2500/ 500					237					
STY1300T	13000	6000/4000/2500/ 500	5/5/4/4	Ø159/Ø139/Ø114/ Ø102	400x400x20	300x85	257	BAG M27/100/Z/280	M27x1000	280x280	A-M4 A-M3A	
STY1400T	14000	6000/4000/3500/ 500			500x500x20		281			BAG M27/100/Z/350		350x350
STY1500T	15000	6000/6000/2500/ 500			303							

Copyright © 2014 - All rights reserved ZINCOMETAL S.A.

All rights reserved.

Reproduction in whole or in part is prohibited without the prior written consent of the copyright owner. The information presented in this document does not form part of any quotation or contract, is believed to be accurate and reliable and may be changed without notice. No liability will be accepted by the publisher for any consequence of its use. Publication thereof does not convey nor imply any license under patent or other industrial or intellectual property rights.





[www.zincometal.gr](http://www.zincometal.gr)

---

**Δ.** 10ο χλμ. Κιλκίς-Πολυκάστρου  
61100 Κιλκίς, τ.θ. 21  
**AD.** 10th km. Kilkis - Polikastro  
P.C. 61100 Kilkis, Greece

**T.** +30 23410 75651-3  
+30 23410 71581  
**F.** +30 23410 71734

**E.** info@zincometal.gr  
**WEB.** www.zincometal.gr

---

zin  
lux  
lighting

---

hellenic griglia